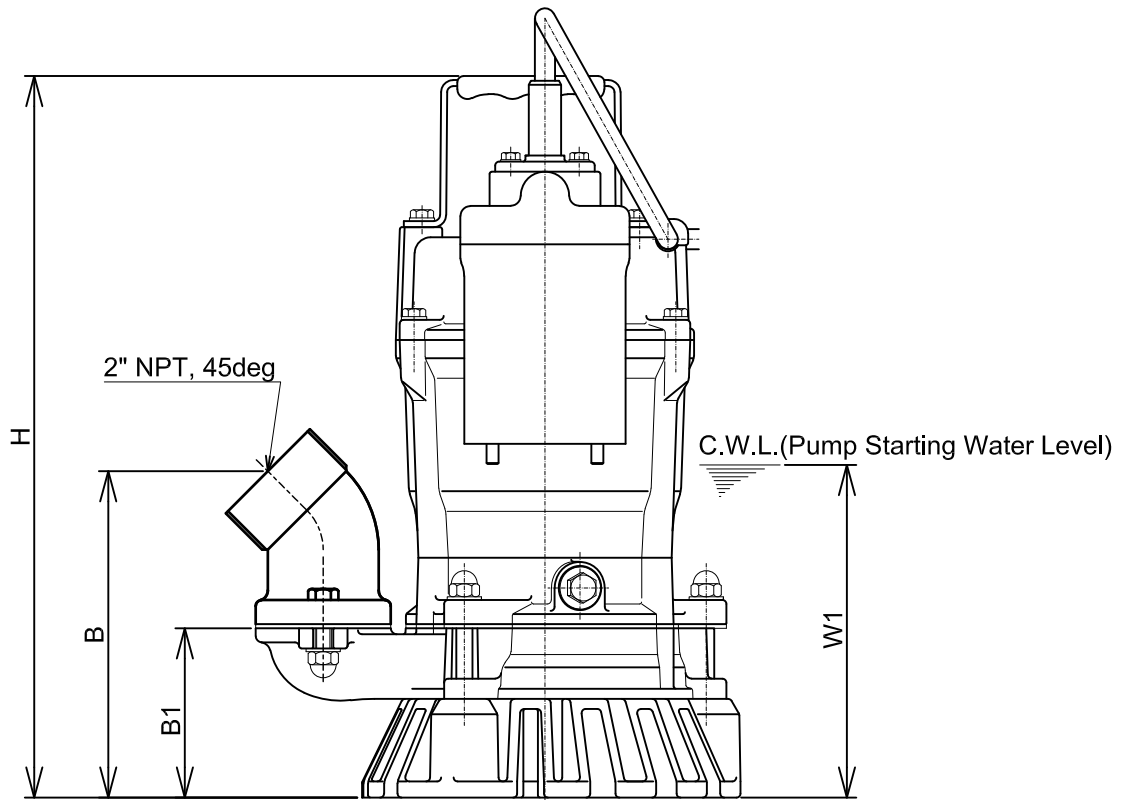
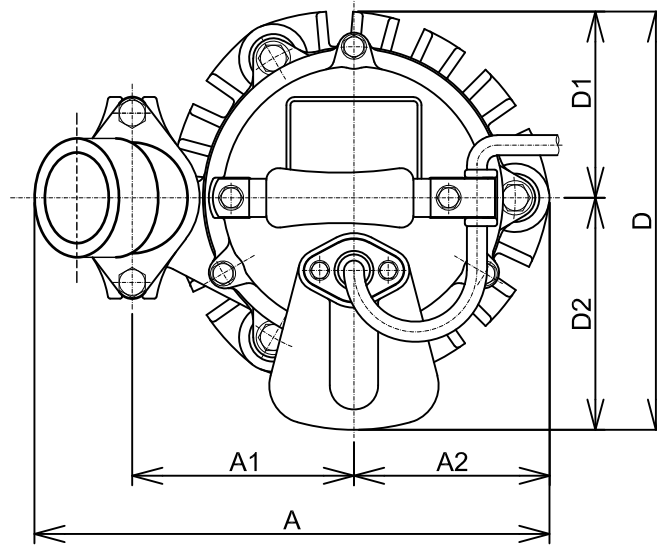


HSE2.4S-62



C.W.L. :Continuous running Water Level

DIMENSIONS:USCS (Inch)

Model	HP	NOM. SIZE	Pump & Motor										C.W.L.	*Wt.
			A	A1	A2	B	B1	D	D1	D2	H	W1	(lbs.)	
HSE2.4S-62	1/2	2"	10 1/16	4 5/16	3 13/16	6 3/8	3 5/16	8 1/8	3 5/8	4 1/2	14 1/8	6 1/2	26	

*Excluding Cable

DIMENSIONS:METRIC (mm)

Model	kW	NOM. SIZE	Pump & Motor										C.W.L.	*Wt.
			A	A1	A2	B	B1	D	D1	D2	H	W1	(kg)	
HSE2.4S-62	0.40	50	255	110	97	162	84	207	92	115	358	165	11.9	